

PRODUCT VIDEO



QUICK START



USER GUIDE



REFERENCE

**SK-ONE-T**

DESCRIPTION

This wireless IOT Temperature sensor starterkit includes everything you need to setup quickly your environmental monitoring application:

- Wireless Receiver/Gateway with LAN Output (Ref: [BeanGateway® Indoor](#))
- Wireless IOT Temperature Sensor ( ref: [BeanDevice® ONE-T](#) )
- Free software to collect and display in real-time data measurement from the wireless temperature sensor (Ref: [BeanScape® 2.4GHZ version](#))

#### MAIN FEATURES

- Temperature measurement range : - 50°C to +150°C (standard accuracy) or - 10°C to +60°C (high accuracy)
- Global License-free band 2.4GHZ, with maximum radio range 650 meters (can be extended to 1km with higher gain antenna)
- Watertight IP67 polycarbonate enclosure
- Primary cell capacity: 2200 mAh (AA size) Lithium-thionyl chloride technology , providing a battery life up to 5 years
- Embedded data logger : up to 1 million data points

Beanair products are Made in Germany and are certified CE/FCC/Giteki

#### HOW IT WORKS ?

**BeanDevice® 2.4GHz ONE-T**  
Wireless IOT Temperature  
Sensor



**BeanScape® 2.4GHz**  
Wireless IOT Supervision Software



**Wireless IOT Gateway | Indoor Version**



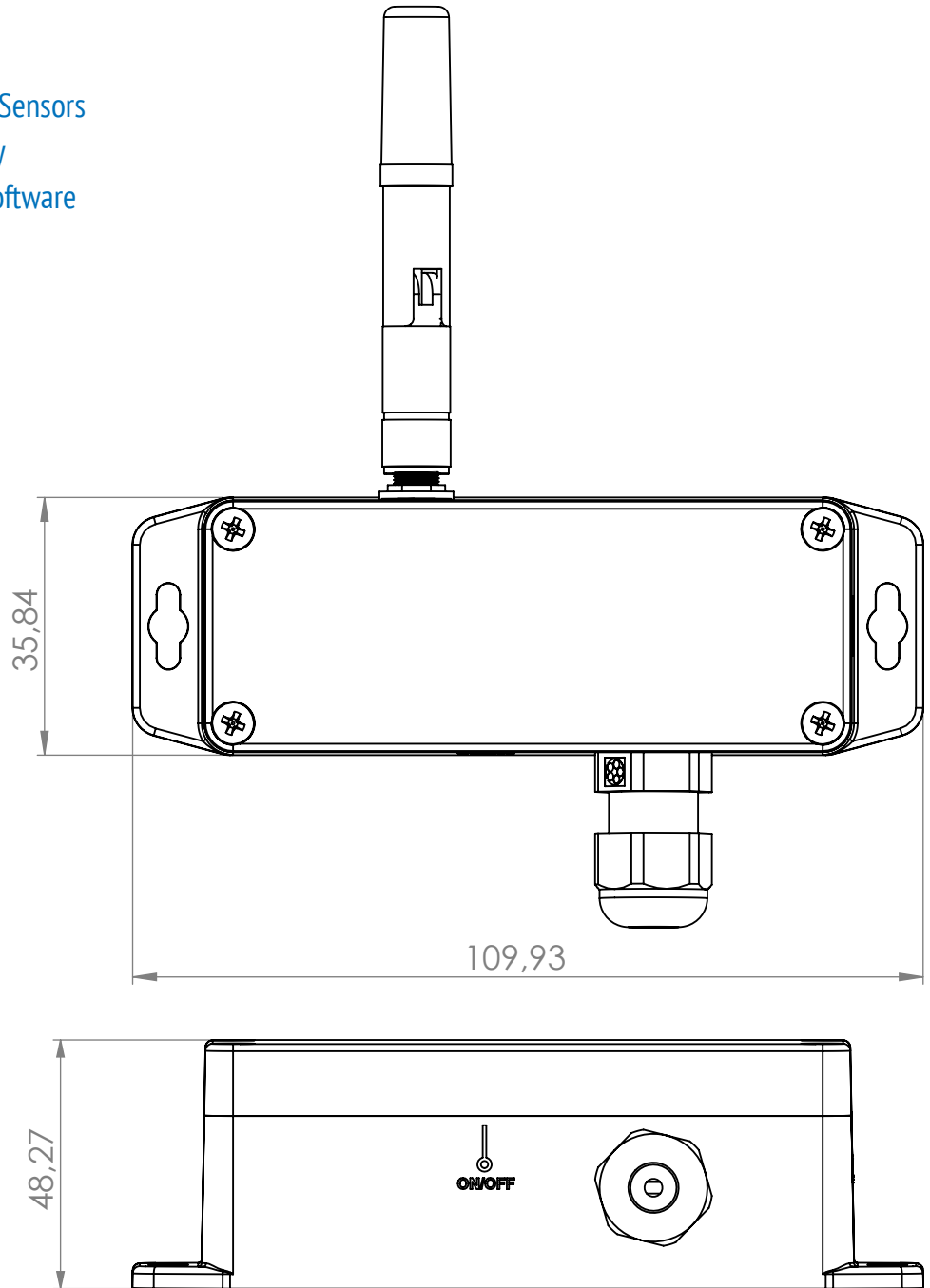
Ethernet LAN

Wireless Link 2.4GHz

WEBLINKS TO PRODUCTS

- Wireless IOT Temperature Sensors
- Wireless Receiver/Gateway
- Eco-friendly Monitoring Software

DRAWING



CONTACT US

Headquarter:

Buchholzer Straße 65, 13156  
Berlin, Germany

Email:

info@beanair.com

Phone number:

+493066405051