

PRODUCT VIDEO



QUICK START



USER GUIDE



REFERENCE

SK-SHOCK-AX-3DS-2/4/8G

DESCRIPTION

This wireless IOT Shock sensor starterkit includes everything you need to setup quickly your vibration monitoring application :

- Wireless Receiver/Gateway with LAN Output (Ref: BeanGateway® Indoor)
- Wireless accelerometer dedicated to shock measurement with integrated data logger. BeanDevice® 2.4GHz AX-3DS: ±2/4/8g
- Free software to collect and display in real-time data measurement from the vibration sensor (Ref: BeanScope® 2.4GHZ version)
- AC/DC Power Adapter (US or EUR or UK plugs) for charging the battery or to be used constantly

MAIN FEATURES

- Wireless accelerometer dedicated to shock Scalable measurement range : $\pm 2g/\pm 4g/\pm 8g$
- SSD (Smart Shock Detection), wireless sensor can wakeup on shock detection (software configurable)
- Noise spectral density @ BW 10Hz: 218 $\mu g/\sqrt{Hz}$
- Time-synchronized data acquisition ($\pm 2.5ms$ of accuracy)
- Waterproof IP67 aluminum casing (Nema 6)
- Rechargeable Lithium-Polymer battery 2200 mAh providing a battery life up to 15 months
- Embedded data logger : up to 1 million data points (with events dating)
- Excellent radio link with a maximum range of 650 meters

WEBLINKS TO PRODUCTS

- Wireless shock sensor
- Wireless Receiver/Gateway
- Eco-friendly Monitoring Software

HOW IT WORKS ?



DRAWING

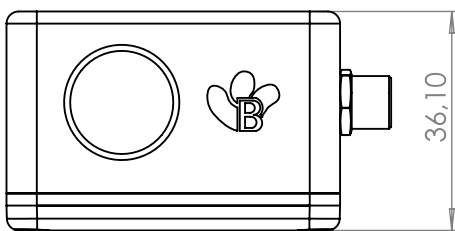
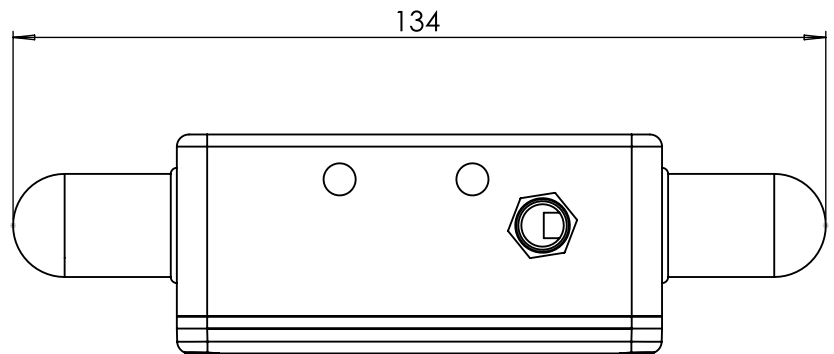
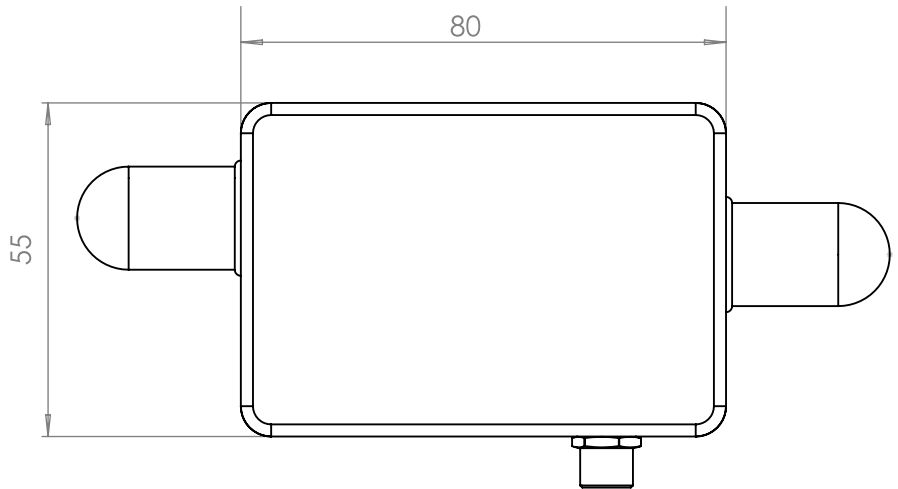
“No screw mounting option, this device should be glue mounted or use a **tape/cable-tie**”

If you need screw mounting option, please choose version:

SK-AX-3DS-SCM

If you need Magnetic mounting option, please choose version:

SK-AX-3DS-MM



CONTACT US

Headquarter:

Buchholzer Straße 65, 13156
Berlin, Germany

Email:

info@beanair.com

Phone number:

+493066405051



www.facebook.com/BeanAir



www.beanair.com



www.youtube.com/user/BeanairSensors



www.twitter.com/beanair

