

PRODUCT VIDEO



QUICK START



USER GUIDE



REFERENCE SK-INCLINOMETER-HI-INC-30B-XR-SCM

DESCRIPTION

This wireless IOT inclinometer starterkit includes everything you need to setup quickly your inclination / tilt monitoring application :

- Wireless Receiver/Gateway with LAN Output (Ref: BeanGateway® Indoor)
- Wireless inclinometer sensor with screw mounting base, measurement range  $\pm 30^\circ$  ( ref: BeanDevice® 2.4GHZ HI-INC X-Range  $\pm 30$  degree )
- Free software to collect and display in real-time data measurement from the vibration sensor (Ref: BeanScope® 2.4GHZ version)
- AC/DC Power Adapter ( US or EUR or UK plugs) for charging the battery or to be used constantly

#### MAIN FEATURES

- Wireless Inclinometer sensor (measurement range  $\pm 30^\circ$ )
- Global License-free band 2.4GHz, with maximum radio range 650 meters
- Extremely precise Inclinometer ( $\pm 0.006^\circ$  of precision)
- Time-synchronized data acquisition ( $\pm 2.5$ ms of accuracy)
- Waterproof IP67 aluminum casing (Nema 6)
- Rechargeable Lithium-Polymer battery 2200 mAh providing a battery life up to 15 months
- **Embedded data logger** : up to 8 million data points (with events dating)

Beanair products are Made in Germany and are certified CE/FCC/Giteki

#### WEBLINKS TO PRODUCTS

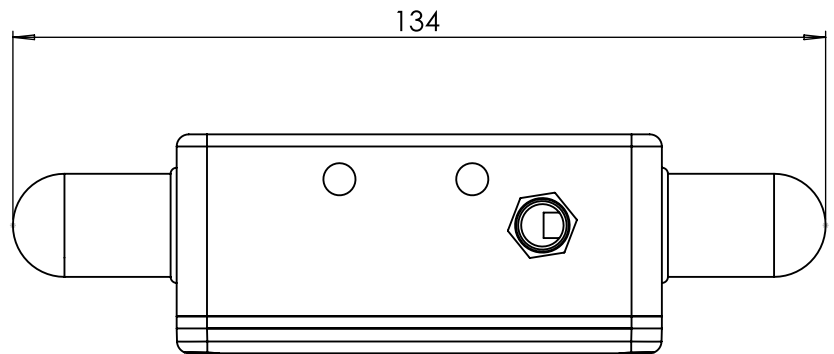
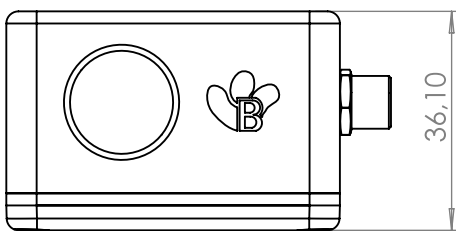
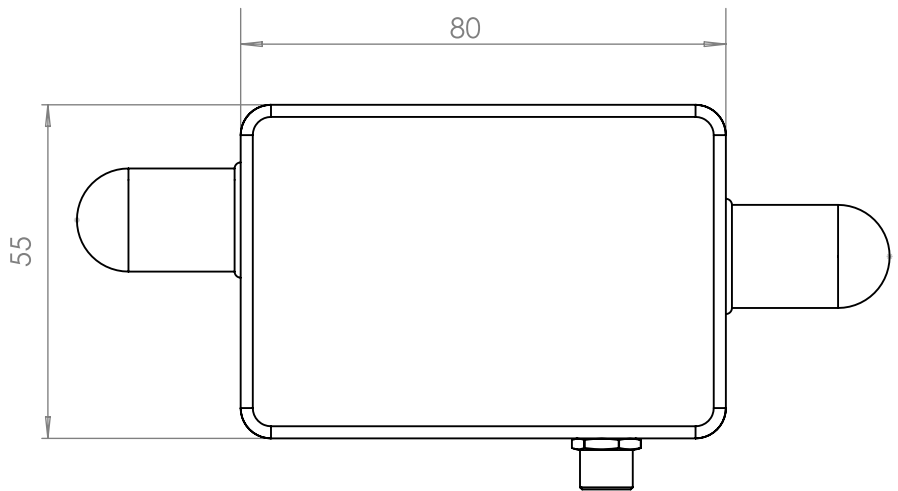
- [Wireless Inclinometer Sensor](#)
- [Wireless Receiver/Gateway](#)
- [Eco-friendly Monitoring Software](#)

#### HOW IT WORKS ?



### DRAWING

“No screw mounting option, this device should be glue mounted or use a **tape/cable-tie**”  
 If you need screw mounting option, please choose version: [SK-HI-INC-XR-SCM](#)



### CONTACT US

#### Headquarter:

Buchholzer Straße 65, 13156  
 Berlin, Germany

#### Email:

[info@beanair.com](mailto:info@beanair.com)

#### Phone number:

+493066405051



[www.facebook.com/BeanAir](https://www.facebook.com/BeanAir)



[www.beanair.com](http://www.beanair.com)



[www.youtube.com/user/BeanairSensors](https://www.youtube.com/user/BeanairSensors)



[www.twitter.com/beanair](https://www.twitter.com/beanair)

