

PRODUCT VIDEO



QUICK START



USER GUIDE



REFERENCE

SK-VIBRATION-AX-3D-2G-XR-SCM

DESCRIPTION

This wireless IOT vibration starterkit includes everything you need to setup quickly your vibration monitoring application :

- Wireless Receiver/Gateway with LAN Output (Ref: BeanGateway® Indoor)
- Wireless Vibration sensor with screw mounting base, measurement range $\pm 2g$ (ref: BeanDevice® 2.4GHZ AX-3D XRange $\pm 2g$)
- Free software to collect and display in real-time data measurement from the vibration sensor (Ref: BeanScope® 2.4GHZ version)
- AC/DC Power Adapter (US or EUR or UK plugs) for charging the battery or to be used constantly

MAIN FEATURES

- Wireless vibration sensor (measurement range $\pm 2g$) with real-time FFT and Velocity values
- Global License-free band 2.4GHz, with maximum radio range 650 meters
- Ultra Low Noise vibration sensor ($45 \mu g/\sqrt{Hz}$)
- Time-synchronized data acquisition ($\pm 2.5ms$ of accuracy)
- Waterproof IP67 aluminum casing (Nema 6)
- Rechargeable Lithium-Polymer battery 2200 mAh providing a battery life up to 15 months
- **Embedded data logger** : up to 8 million data points (with events dating)

Beanair products are Made in Germany and are certified CE/FCC/Giteki

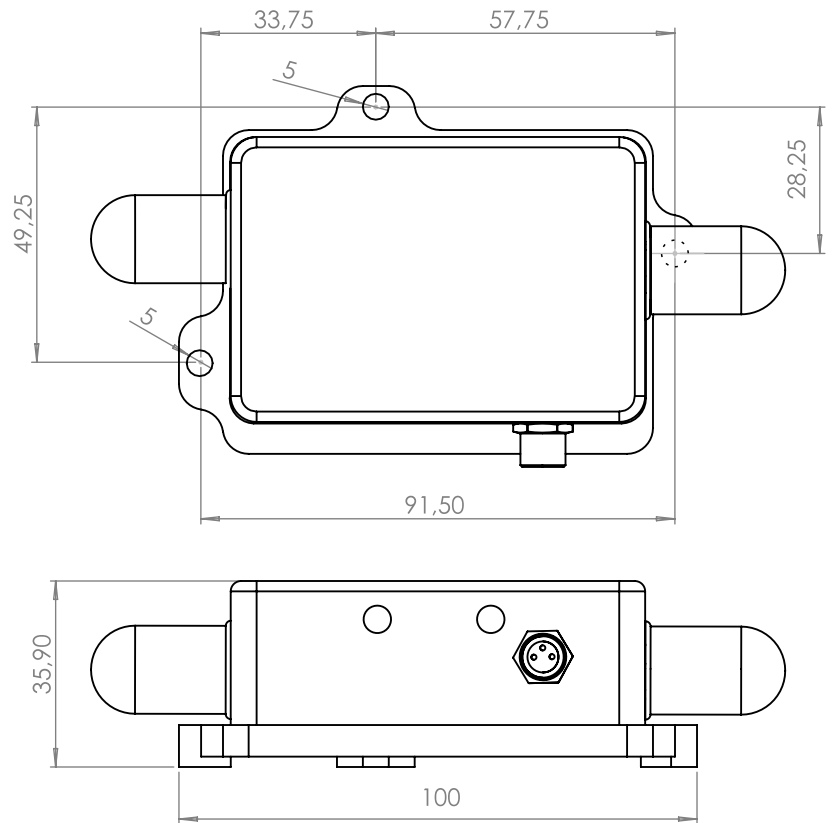
WEBLINKS TO PRODUCTS

- Wireless vibration sensor
- Wireless Receiver/Gateway
- Eco-friendly Monitoring Software with Real-Time FFT

HOW IT WORKS ?



DRAWING



CONTACT US

Headquarter:

Buchholzer Straße 65, 13156
Berlin, Germany

Email:

info@beanair.com

Phone number:

+493066405051



www.facebook.com/BeanAir



www.beanair.com



www.youtube.com/user/BeanairSensors



www.twitter.com/beanair

