

PRODUCT VIDEO



QUICK START



USER GUIDE



REFERENCE **SK-INCLINOMETER-HI-INC-SR-10T**

DESCRIPTION

This wireless IOT inclinometer starterkit includes everything you need to setup quickly your inclination / tilt monitoring application :

- Wireless Receiver/Gateway with LAN Output (Ref: **BeanGateway® Indoor**)
- Wireless ultra-accurate Tri-Axis Inclinometer sensor with screw mounting option (ref: **BeanDevice 2.4GHZ HI-INC SR**)
- Free software to collect and display in real-time data measurement from the vibration sensor (Ref: **BeanScope® 2.4GHZ version**)
- AC/DC Power Adapter (US or EUR or UK plugs) for charging the battery or to be used constantly

MAIN FEATURES

- Scalable Range: $\pm 10^\circ$ or $\pm 90^\circ$ with automatic range adjustment
- Ultra precise sensor ($\pm 0.01^\circ$ for 10° range)
- Global License-free band 2.4GHz, with maximum radio range 650 meters
- Time-synchronized data acquisition (± 2.5 ms of accuracy)
- Waterproof IP67 aluminum casing (Nema 6) with screw mounting base
- Rechargeable Lithium-Polymer battery 2200 mAh providing a battery life up to 15 months
- **Embedded data logger** : up to 8 million data points (with events dating)

Beanair products are Made in Germany and are certified CE/FCC/Giteki

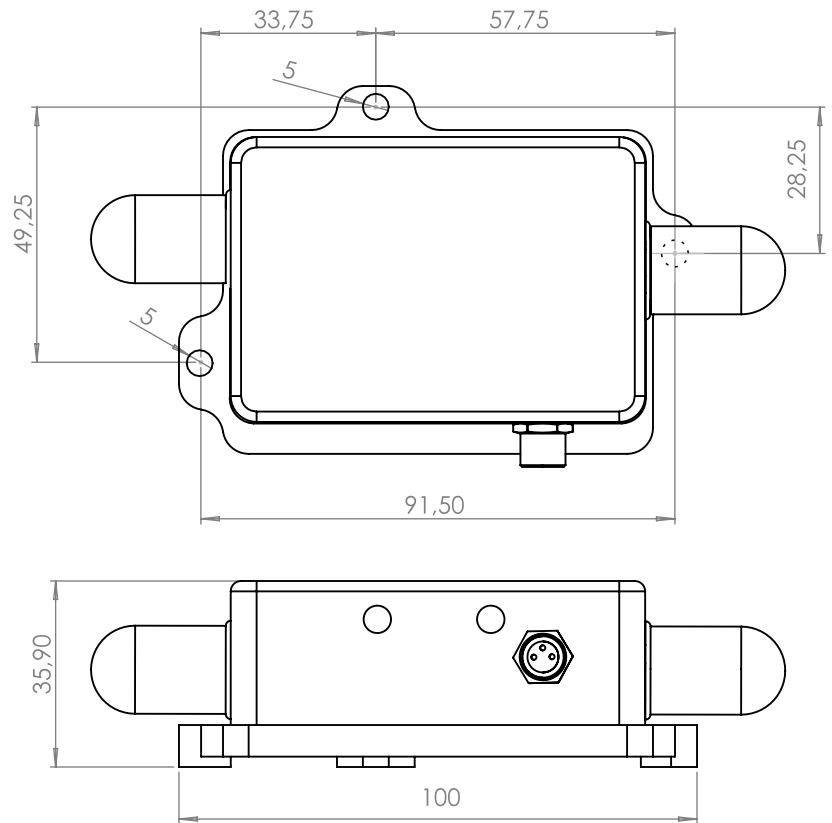
WEBLINKS TO PRODUCTS

- [Wireless Tri Axis Inclinometer Sensor](#)
- [Wireless Receiver/Gateway](#)
- [Eco-friendly Monitoring Software](#)

HOW IT WORKS ?



DRAWING



CONTACT US

Headquarter:

Buchholzer Straße 65, 13156
Berlin, Germany

Email:

info@beanair.com

Phone number:

+493066405051



www.facebook.com/BeanAir



www.beanair.com



www.youtube.com/user/BeanairSensors



www.twitter.com/beanair

