



PRODUCT VIDEO



USER GUIDE



QUICK START



REFERENCE SK-WIRELESS-DAQ-AN-MV

DESCRIPTION

This wireless IOT DAQ instrument starterkit includes everything you need to setup quickly your wireless monitoring application:

- Wireless Receiver/Gateway with LAN Output (Ref: BeanGateway® Indoor)
- Wireless IOT data acquisition instrument with analog voltage inputs $\pm 20\text{mV}$ (ref: BeanDevice® AN-mV)
- Free software to collect and display in real-time data measurement from the wireless DAQ system (Ref: BeanScape® 2.4GHZ version)
- AC/DC Power Adapter (US or EUR or UK plugs) for charging the battery or to be used constantly

MAIN FEATURES

- Analog inputs $\pm 20\text{mV}$ (4 channels)
- Measurement precision less than $\pm 0.01\%$ on the full scale
- Integrated sensor power supply, software configurable 4.5V to 20V (i.e. no need external power for your sensors)
- Global License-free band 2.4GHz, with maximum radio range 650 meters (can be extended to 1km with higher gain antenna)
- Waterproof and rugged IP67 aluminum casing (Nema 6)
- Time-synchronized data acquisition ($\pm 2.5\text{ms}$ of accuracy)
- Rechargeable Lithium-Polymer battery 2200 mAh providing a battery life up to 12 months
- Embedded data logger : up to 1 million data points with events dating

This Wireless DAQ system is suitable for industrial sensors with current-loop outputs.

Beanair products are Made in Germany and are certified CE/FCC/Giteki

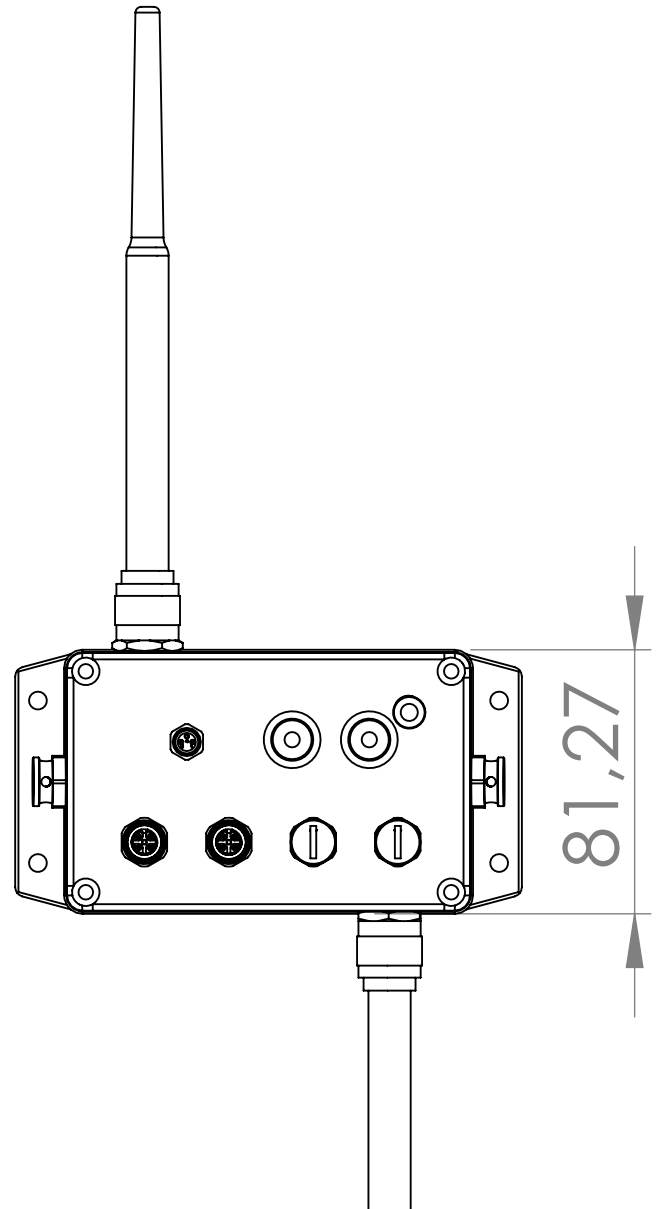
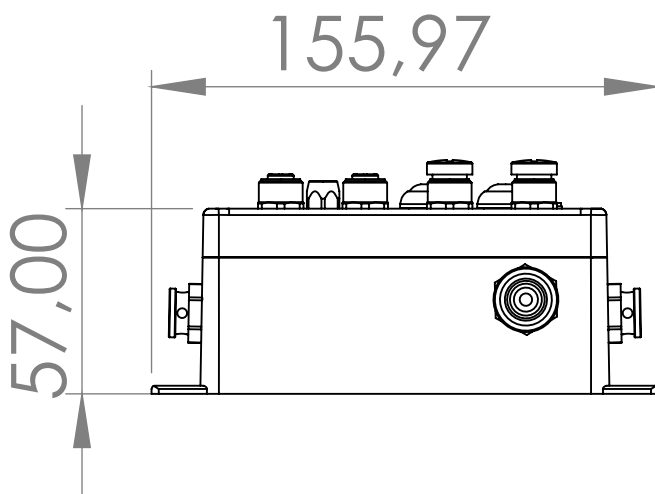
HOW IT WORKS ?



WEBLINKS TO PRODUCTS

- Wireless DAQ system
- Wireless Receiver/Gateway
- Eco-friendly Monitoring Software

DRAWING



CONTACT US

Headquarter:

Buchholzer Straße 65, 13156
Berlin, Germany

Email:

info@beanair.com

Phone number:

+493066405051