

PRODUCT VIDEO



QUICK START



USER GUIDE



REFERENCE **SK-ONE-TH**

DESCRIPTION

This wireless IOT Temperature sensor starterkit includes everything you need to setup quickly your environmental monitoring application:

- Wireless Receiver/Gateway with LAN Output, IP67 casing (Ref: [BeanGateway® Outdoor](#))
- Wireless IOT Temperature and Humidity Sensors (ref: [BeanDevice® ONE-TH](#))
- 1 x Free software to collect and display in real-time data measurement from the temperature/humidity sensor (Ref: [BeanScope® 2.4GHZ LITE](#))

MAIN FEATURES

- High accuracy temperature sensor, meas. range -40°C to +85°C - accuracy : $\pm 0.1^{\circ}\text{C}$
- High accuracy humidity sensor, meas. range 0 to 100% RH - accuracy : $\pm 1.5\% \text{ RH}$
- Global License-free band 2.4GHZ, with maximum radio range 650 meters (can be extended to 1km with higher gain antenna)
- Watertight IP67 polycarbonate enclosure
- Primary cell capacity: 2200 mAh (AA size) Lithium-thionyl chloride technology , providing a battery life up to 5 years
- Embedded data logger : up to 1 million data points

Beanair products are Made in Germany and are certified CE/FCC/Giteki

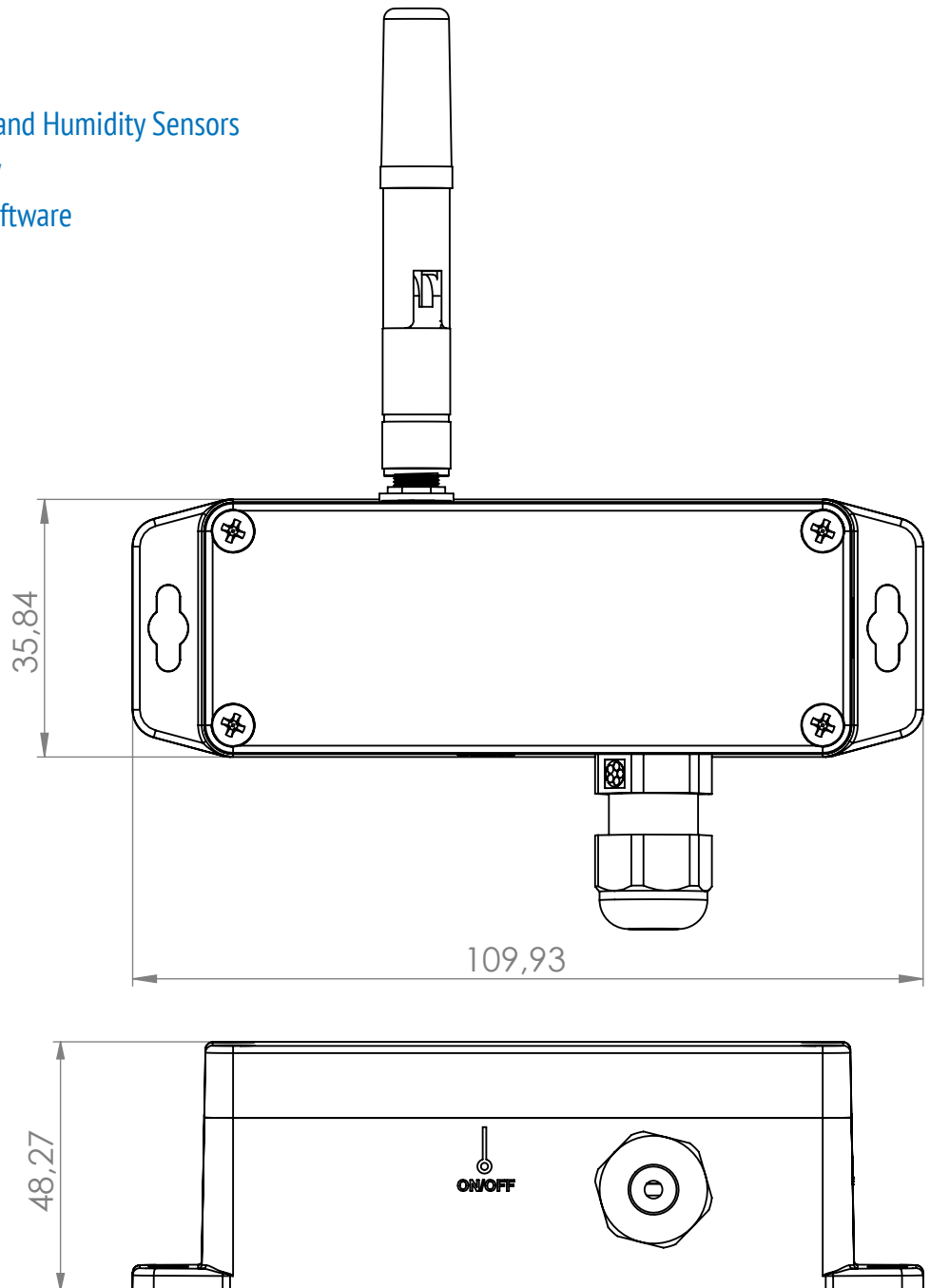
HOW IT WORKS ?



WEBLINKS TO PRODUCTS

- Wireless IOT Temperature and Humidity Sensors
- Wireless Receiver/Gateway
- Eco-friendly Monitoring Software

DRAWING



CONTACT US

Headquarter:

Buchholzer Straße 65, 13156
Berlin, Germany

Email:

info@beanair.com

Phone number:

+493066405051