



REFERENCE **SK-ONE-T**

DESCRIPTION

This wireless IOT Temperature sensor starterkit includes everything you need to setup quickly your environmental monitoring application:

- Wireless Receiver/Gateway with LAN Output, IP67 casing (Ref: BeanGateway® Outdoor)
- Wireless IOT Temperature Sensor (ref: BeanDevice® ONE-T)
- 1x Free software to collect and display in real-time data measurement from the wireless temperature sensor (Ref: BeanScape® 2.4GHZ LITE)

MAIN FEATURES

- Temperature measurement range : - 50°C to +150°C (standard accuracy) or - 10°C to +60°C (high accuracy)
- Global License-free band 2.4GHZ, with maximum radio range 650 meters (can be extended to 1km with higher gain antenna)
- Watertight IP67 polycarbonate enclosure
- Primary cell capacity: 2200 mAh (AA size) Lithium-thionyl chloride technology , providing a battery life up to 5 years
- Embedded data logger : up to 1 million data points

Beanair products are Made in Germany and are certified CE/FCC/Giteki

HOW IT WORKS ?

BeanDevice® 2.4GHz ONE-T
Wireless IOT Temperature Sensor



BeanScape® 2.4GHz
Wireless IOT Supervision Software



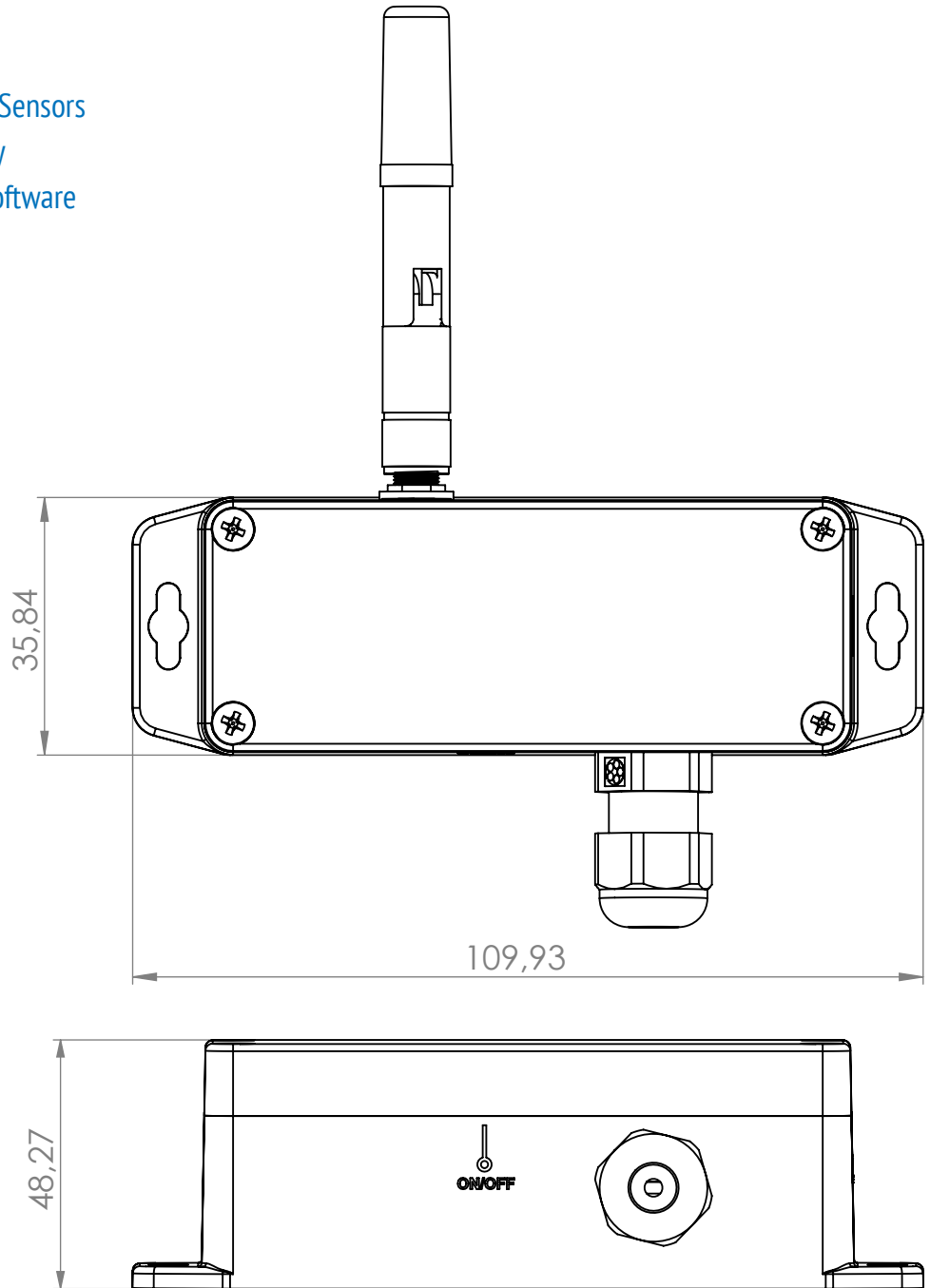
Wireless Link 2.4GHz

Ethernet LAN

WEBLINKS TO PRODUCTS

- Wireless IOT Temperature Sensors
- Wireless Receiver/Gateway
- Eco-friendly Monitoring Software

DRAWING



CONTACT US

Headquarter:

Buchholzer Straße 65, 13156
Berlin, Germany

Email:

info@beanair.com

Phone number:

+493066405051