



PRODUCT VIDEO



USER GUIDE



QUICK START



REFERENCE

SK-VIBRATION-AX-3D-SR

DESCRIPTION

This wireless IOT vibration starterkit includes everything you need to setup quickly your vibration monitoring application :

- Wireless Receiver/Gateway with LAN Output, IP67 casing (Ref: BeanGateway® Outdoor)
- Wireless Ultra-Low Noise Vibration sensor with screw mounting (ref: BeanDevice 2.4GHZ AX-3D SR)
- 1 x Free software to collect and display in real-time data measurement (Ref: BeanScape® 2.4GHZ LITE)
- AC/DC Power Adapter ( US or EUR or UK plugs) for charging the battery or to be used constantly

#### MAIN FEATURES

- Wireless vibration sensor with real-time FFT and Velocity values
- Scalable Range:  $\pm 1.2g$  or  $\pm 2.4g$  with automatic range adjustment
- Global License-free band 2.4GHz, with maximum radio range 650 meters
- Ultra Low Noise vibration sensor ( $20 \mu g/\sqrt{Hz}$  for  $\pm 1.2g$  range)
- Time-synchronized data acquisition ( $\pm 2.5ms$  of accuracy)
- Waterproof IP67 aluminum casing (Nema 6) with screw mounting base
- Rechargeable Lithium-Polymer battery 2200 mAh providing a battery life up to 15 months
- **Embedded data logger** : up to 8 million data points (with events dating)

Beanair products are Made in Germany and are certified CE/FCC/Giteki

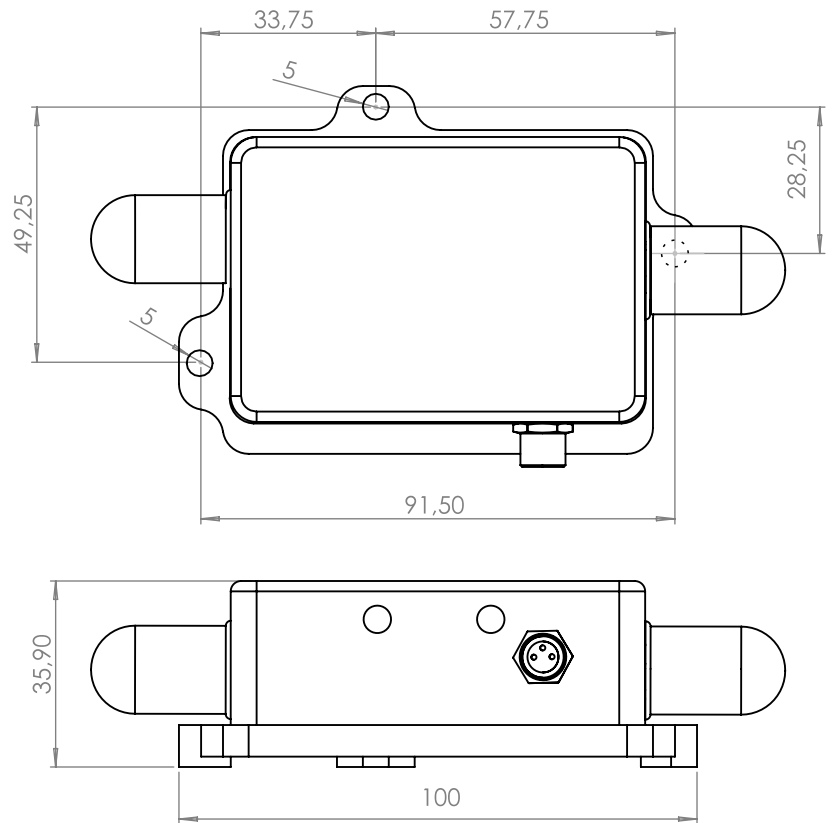
#### WEBLINKS TO PRODUCTS

- Wireless low noise vibration sensor
- Wireless Receiver/Gateway
- Eco-friendly Monitoring Software with Real-Time FFT

#### HOW IT WORKS ?



DRAWING



CONTACT US

Headquarter:

Buchholzer Straße 65, 13156  
Berlin, Germany

Email:

info@beanair.com

Phone number:

+493066405051



[www.facebook.com/BeanAir](http://www.facebook.com/BeanAir)



[www.beanair.com](http://www.beanair.com)



[www.youtube.com/user/BeanairSensors](http://www.youtube.com/user/BeanairSensors)



[www.twitter.com/beanair](http://www.twitter.com/beanair)

