



PRODUCT VIDEO



USER GUIDE



QUICK START



### REFERENCE

SK-SHOCK-AX-3DS-6/12/24G

### DESCRIPTION

This wireless IOT Shock sensor starterkit includes everything you need to setup quickly your vibration monitoring application :

- Wireless Receiver/Gateway with LAN Output, IP67 casing (Ref: BeanGateway® Outdoor)
- Wireless accelerometer dedicated to shock measurement with integrated data logger. BeanDevice® 2.4GHz AX-3DS: ±6/12/24g
- 1 x Free software to collect and display in real-time data measurement (Ref: BeanScope® 2.4GHZ LITE )
- AC/DC Power Adapter ( US or EUR or UK plugs) for charging the battery or to be used constantly

### MAIN FEATURES

- Wireless accelerometer dedicated to shock Scalable measurement range :  $\pm 6g/\pm 12g/\pm 24g$
- SSD (Smart Shock Detection), wireless sensor can wakeup on shock detection (software configurable)
- Noise spectral density @ BW 10Hz:  $650 \mu g/\sqrt{Hz}$
- Time-synchronized data acquisition ( $\pm 2.5ms$  of accuracy)
- Waterproof IP67 aluminum casing (Nema 6)
- Rechargeable Lithium-Polymer battery 2200 mAh providing a battery life up to 15 months
- Embedded data logger : up to 1 million data points (with events dating)
- Excellent radio link with a maximum range of 650 meters

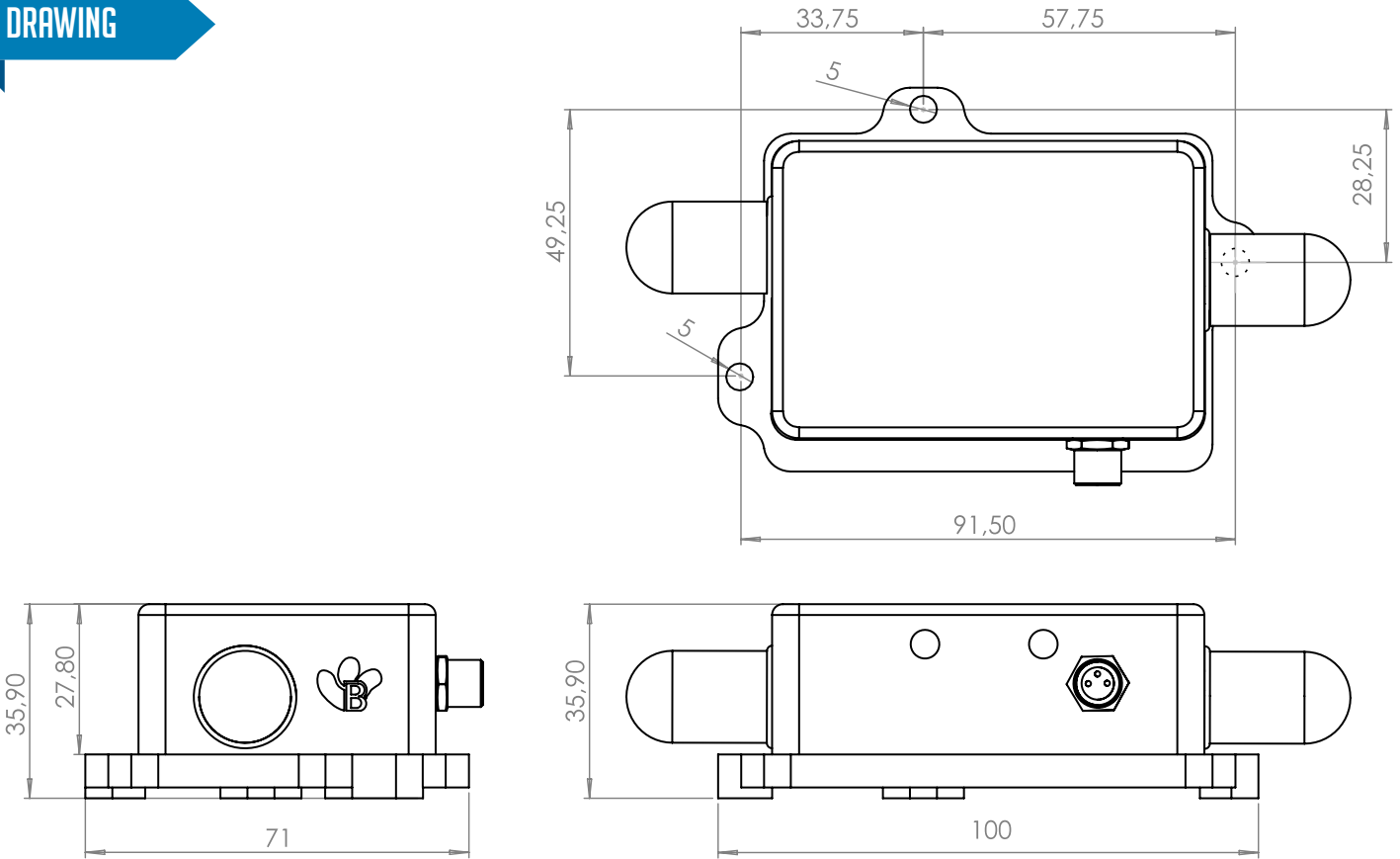
### WEBLINKS TO PRODUCTS

- Wireless shock sensor
- Wireless Receiver/Gateway
- Eco-friendly Monitoring Software

### HOW IT WORKS ?



DRAWING



CONTACT US

Headquarter:

Buchholzer Straße 65, 13156  
Berlin, Germany

Email:

info@beanair.com

Phone number:

+493066405051



[www.facebook.com/BeanAir](http://www.facebook.com/BeanAir)



[www.beanair.com](http://www.beanair.com)



[www.youtube.com/user/BeanairSensors](http://www.youtube.com/user/BeanairSensors)



[www.twitter.com/beanair](http://www.twitter.com/beanair)

