

PRODUCT VIDEO



USER GUIDE



QUICK START



REFERENCE SK-INCLINOMETER-INC-30B-RB

DESCRIPTION

This wireless IOT inclinometer starterkit includes everything you need to setup quickly your inclination / tilt monitoring application :

- Wireless Receiver/Gateway with LAN Output, IP67 casing (Ref: BeanGateway® Outdoor)
- Wireless inclinometer sensor with standard base, measurement range $\pm 30^\circ$ (ref: BeanDevice® 2.4GHZ INC ± 30 degree)
- 1 x Free software to collect and display in real-time data measurement (Ref: BeanScope® 2.4GHZ LITE)
- AC/DC Power Adapter (US or EUR or UK plugs) for charging the battery or to be used constantly

MAIN FEATURES

- Wireless Inclinometer sensor (measurement range $\pm 30^\circ$)
- Global License-free band 2.4GHZ, with maximum radio range 650 meters
- Extremely precise Inclinometer ($\pm 0.006^\circ$ of precision)
- Time-synchronized data acquisition (± 2.5 ms of accuracy)
- Waterproof IP67 aluminum casing (Nema 6)
- Rechargeable Lithium-Polymer battery 2200 mAh providing a battery life up to 15 months
- **Embedded data logger** : up to 1 million data points (with events dating)

Beanair products are Made in Germany and are certified CE/FCC/Giteki

WEBLINKS TO PRODUCTS

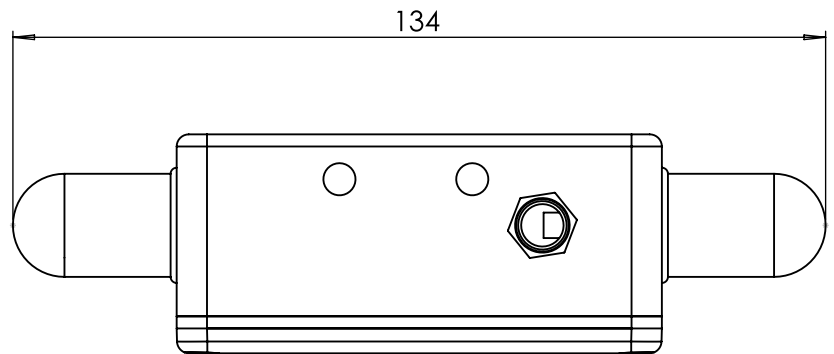
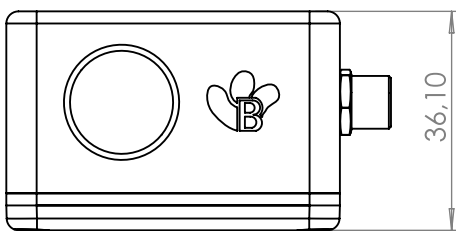
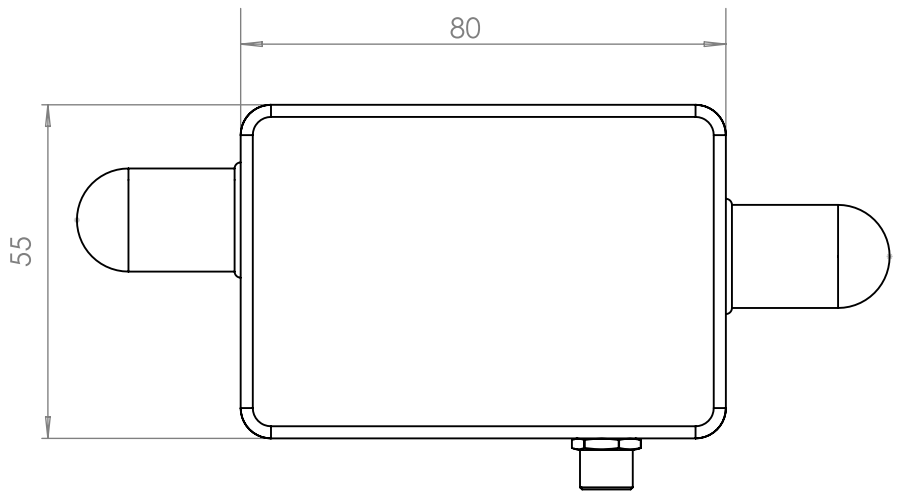
- Wireless Inclinometer Sensor
- Wireless Receiver/Gateway
- Eco-friendly Monitoring Software

HOW IT WORKS ?



DRAWING

“No screw mounting option, this device should be glue mounted or use a **tape/cable-tie**”
 If you need screw mounting option, please choose version: [SK-HI-INC-XR-SCM](#)



CONTACT US

Headquarter:

Buchholzer Straße 65, 13156
 Berlin, Germany

Email:

info@beanair.com

Phone number:

+493066405051



www.facebook.com/BeanAir



www.beanair.com



www.youtube.com/user/BeanairSensors



www.twitter.com/beanair

