



PRODUCT VIDEO



USER GUIDE



QUICK START



REFERENCE SK-VIBRATION-AX-3D-10G-XR-SCM

### DESCRIPTION

This wireless IOT vibration starterkit includes everything you need to setup quickly your vibration monitoring application :

- Wireless Receiver/Gateway with LAN Output, IP67 casing (Ref: [BeanGateway® Outdoor](#))
- Wireless Vibration sensor with screw mounting base, measurement range  $\pm 10g$  (ref: [BeanDevice® 2.4GHZ AX-3D XRange  \$\pm 10g\$](#) )
- 1 x Free software to collect and display in real-time data measurement (Ref: [BeanScape® 2.4GHZ LITE](#))
- AC/DC Power Adapter ( US or EUR or UK plugs) for charging the battery or to be used constantly

### MAIN FEATURES

- Wireless vibration sensor (measurement range  $\pm 10g$ ) with real-time FFT and Velocity values
- Global License-free band 2.4GHz, with maximum radio range 650 meters
- Ultra Low Noise vibration sensor ( $45 \mu g/\sqrt{Hz}$ )
- Time-synchronized data acquisition ( $\pm 2.5ms$  of accuracy)
- Waterproof IP67 aluminum casing (Nema 6)
- Rechargeable Lithium-Polymer battery 2200 mAh providing a battery life up to 15 months
- **Embedded data logger** : up to 8 million data points (with events dating)

Beanair products are Made in Germany and are certified CE/FCC/Giteki

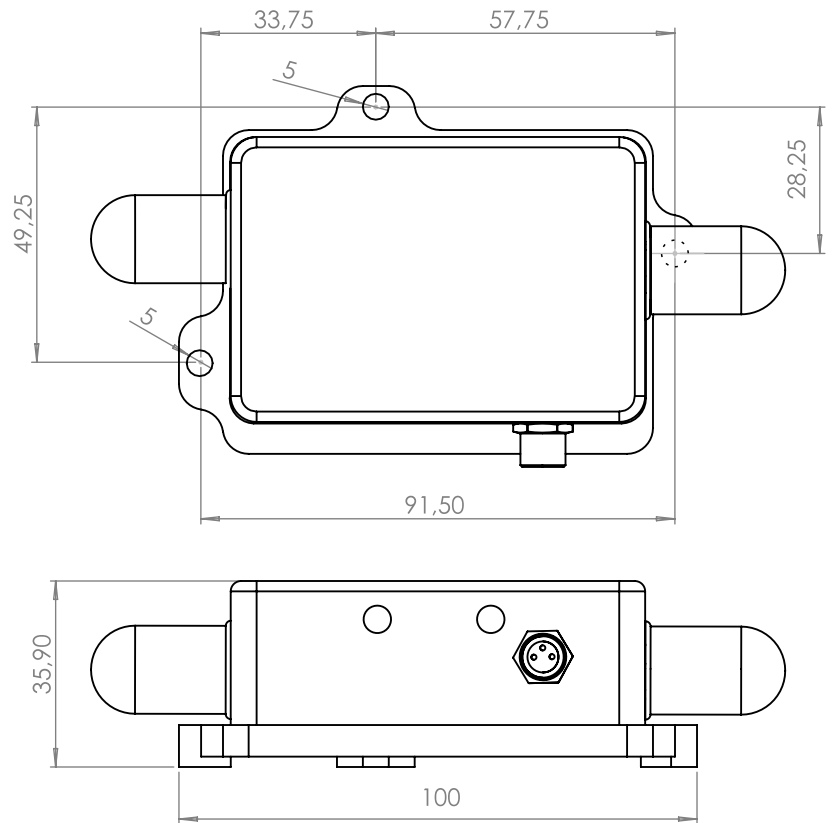
### WEBLINKS TO PRODUCTS

- Wireless vibration sensor
- Wireless Receiver/Gateway
- Eco-friendly Monitoring Software with Real-Time FFT

### HOW IT WORKS ?



DRAWING



CONTACT US

Headquarter:

Buchholzer Straße 65, 13156  
Berlin, Germany

Email:

info@beanair.com

Phone number:

+493066405051



[www.facebook.com/BeanAir](http://www.facebook.com/BeanAir)



[www.beanair.com](http://www.beanair.com)



[www.youtube.com/user/BeanairSensors](http://www.youtube.com/user/BeanairSensors)



[www.twitter.com/beanair](http://www.twitter.com/beanair)

