



**REFERENCE SK-INCLINOMETER-HI-INC-SR-10T**

### DESCRIPTION

This wireless IOT inclinometer starterkit includes everything you need to setup quickly your inclination / tilt monitoring application :

- Wireless Receiver/Gateway with LAN Output, IP67 casing (Ref: BeanGateway® Outdoor)
- Wireless ultra-accurate Tri-Axis Inclinometer sensor with screw mounting option (ref: BeanDevice 2.4GHZ HI-INC SR)
- 1 x Free software to collect and display in real-time data measurement (Ref: BeanScape® 2.4GHZ LITE)
- AC/DC Power Adapter ( US or EUR or UK plugs) for charging the battery or to be used constantly

#### MAIN FEATURES

- Scalable Range:  $\pm 10^\circ$  or  $\pm 90^\circ$  with automatic range adjustment
- Ultra precise sensor ( $\pm 0.01^\circ$  for  $10^\circ$  range)
- Global License-free band 2.4GHz, with maximum radio range 650 meters
- Time-synchronized data acquisition ( $\pm 2.5$ ms of accuracy)
- Waterproof IP67 aluminum casing (Nema 6) with screw mounting base
- Rechargeable Lithium-Polymer battery 2200 mAh providing a battery life up to 15 months
- **Embedded data logger** : up to 8 million data points (with events dating)

Beanair products are Made in Germany and are certified CE/FCC/Giteki

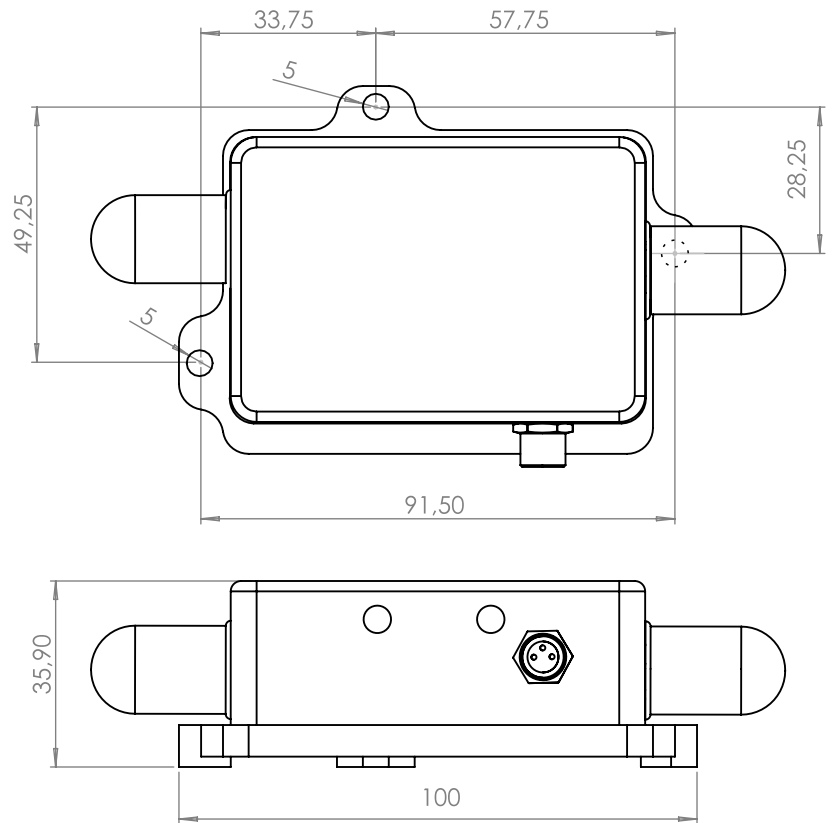
#### WEBLINKS TO PRODUCTS

- [Wireless Tri Axis Inclinometer Sensor](#)
- [Wireless Receiver/Gateway](#)
- [Eco-friendly Monitoring Software](#)

#### HOW IT WORKS ?



DRAWING



CONTACT US

Headquarter:

Buchholzer Straße 65, 13156  
Berlin, Germany

Email:

info@beanair.com

Phone number:

+493066405051



[www.facebook.com/BeanAir](http://www.facebook.com/BeanAir)



[www.beanair.com](http://www.beanair.com)



[www.youtube.com/user/BeanairSensors](http://www.youtube.com/user/BeanairSensors)



[www.twitter.com/beanair](http://www.twitter.com/beanair)

